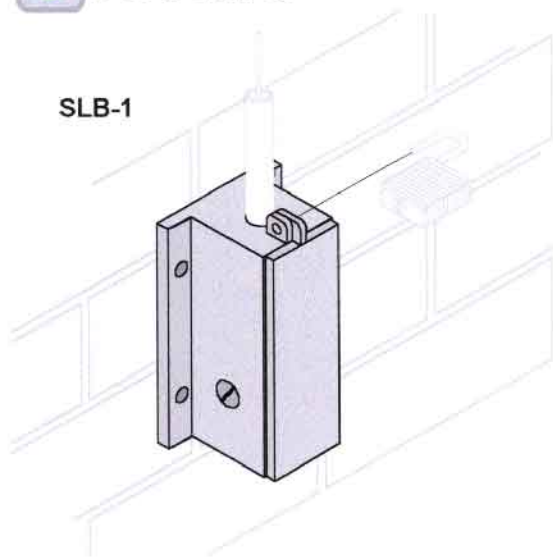


Mounting Accessories

Mounting Adapters



Each lowering cable must be terminated in a locking system. Two types are available to prevent unauthorized personnel from lowering the contact suspension unit.

■ Locking Bolt LB-1

If the lowering cable is mounted indoors and a security locking box is not required the locking bolt **LB-1** design could be considered.

■ Locking Bolt SLB-1

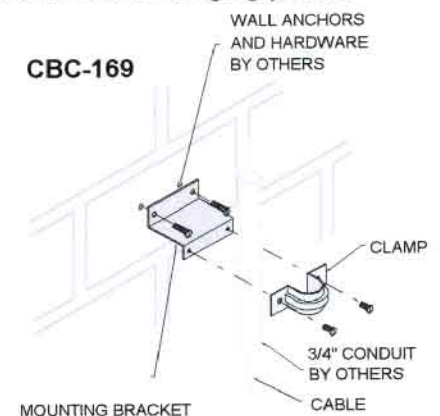
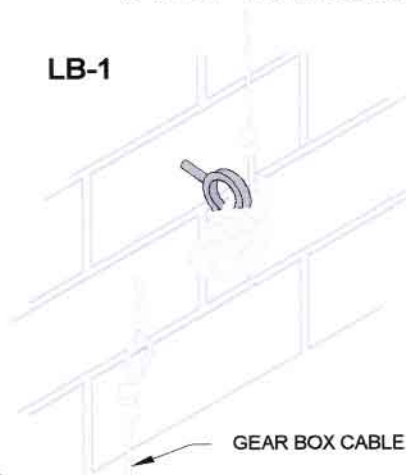
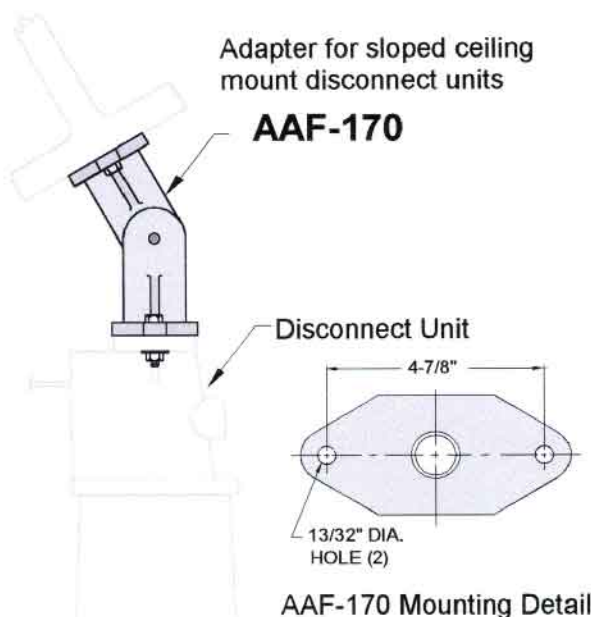
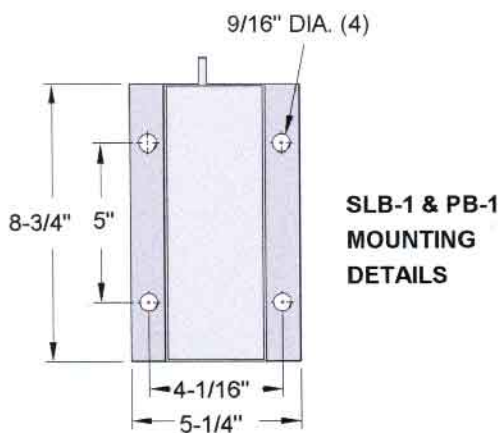
When conduit entry is required and maximum protection and corrosion conditions exist, the use of **SLB-1** security locking box is recommended. The box is cast aluminum. For highly corrosive areas, an optional painted unit is available. Vandal proof construction uses no screws, nuts or bolts to enter unit. The lowering tool to service this box is the **LT-4**. Each security locking box allows the cable connector to pass through the conduit.

■ Wall Conduit Mounting Bracket CBC-169 or -170

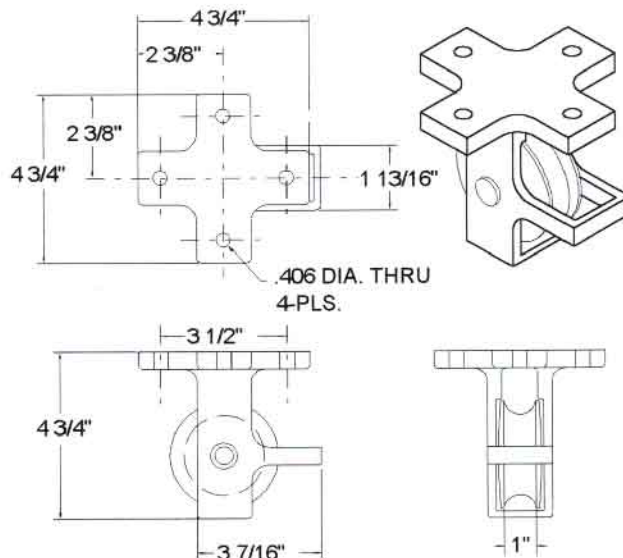
This Conduit Bracket and Clamp assures proper spacing of conduit from the wall. CBC-169 is for 3/4" conduit. CBC-170 is for optional 1" conduit.

■ Sloped Ceiling Angle Flange AAF-170

For sloped ceilings, the disconnect unit must be mounted to a AAF-170 to assure that the unit is hanging plumb.

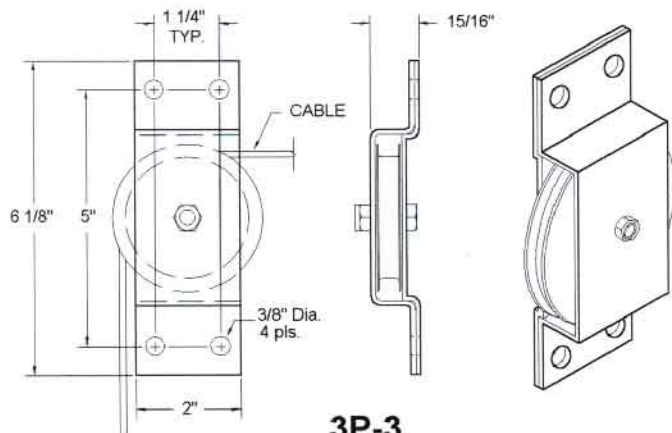


Various types of pulleys are available and should be designed for the exact load and gearbox. All pulleys have oilite bronze bearings for maintenance free life. This also insures their use for dirty atmosphere applications. The standard pulley is cast aluminum. Painted pulleys are available for highly corrosive areas. Pulleys can be spaced up to 30' apart on horizontal runs. Pulleys are required when vertical or horizontal changes in direction occur. Four types are available for various mounting and load requirements. It is important that pulleys are properly aligned when installing and always considering pulley friction if loads are near the limits of the gearbox.



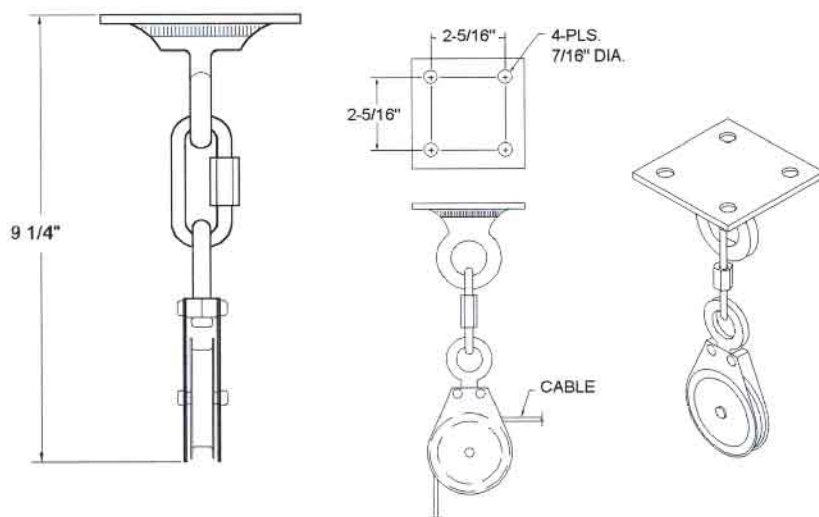
3P-6

Allows cable quick link to pass through.



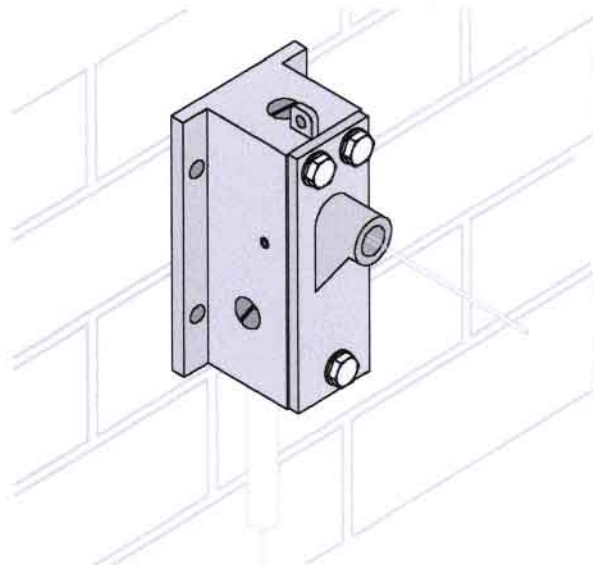
3P-3

Change of direction on the same plane.



3P-5

Swivel pulley



PB-1

Allows cable to run inside conduit in secure environments